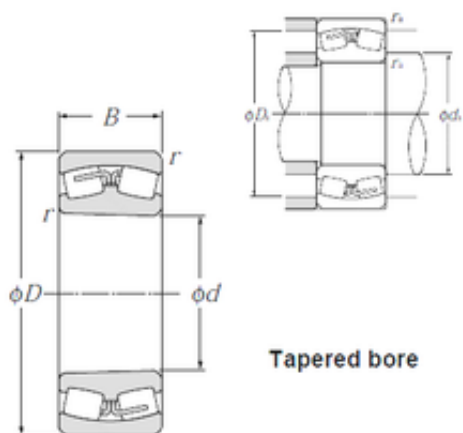




# Bearing Mexico, S.A.

## 239/500K NTN Spherical Roller Bearings



Bearing No. 239/500K

|                               |                |
|-------------------------------|----------------|
| Size                          | 500x670x128 mm |
| Bore Diameter                 | 500 mm         |
| Outer Diameter                | 670 mm         |
| Width                         | 128 mm         |
| d                             | 500 mm         |
| D                             | 670 mm         |
| B                             | 128 mm         |
| C                             | 128 mm         |
| r min.                        | 5 mm           |
| da min.                       | 522 mm         |
| Da max.                       | 648 mm         |
| ra max.                       | 4 mm           |
| Weight                        | 127 Kg         |
| Basic dynamic load rating (C) | 2 370 kN       |
| Basic static load rating (C0) | 5 600 kN       |
| (Grease) Lubrication Speed    | 430 r/min      |
| (Oil) Lubrication Speed       | 560 r/min      |
| Calculation factor (e)        | 0,17           |
| Calculation factor (Y0)       | 3,93           |
| Calculation factor (Y1)       | 4,02           |

239/500K Bearing 2D drawings and 3D CAD models